

76MM SHIPBOARD GUN



A LIGHT WEIGHT, SUPER RAPID MOUNTING 120 RDS/MIN NAVAL GUN WITH ADVANCED COMMAND & CONTROL CONSOLE

The 76/62 Super Rapid (SR) Shipboard Gun is a light weight, rapid-fire naval gun providing unrivaled performance and flexibility in any air defense and anti-surface role, particularly in anti-missile role.

Capability for very effective engagement of shore based targets is also provided for unique multi-role performance. The 76mm Shipboard Gun is suitable for installation on ships of any type and class, including small naval units.

Interface to a large variety of ship's Combat Management System and/or FCS/EOS is provided, according to digital as well as analogical standard, including open architecture.

The Firing rate can be selected from single shot to 120 rds/min. In operational conditions the tactical time is less than 3 seconds and the standard deviation at firing is less than 0.3 mrad, thus providing excellent accuracy.

The 76mm Shipboard Gun is one of two medium caliber naval guns available with the capability of sustained fire, which is a fundamental requirement in any scenario involving the simultaneous engagement of multiple maneuvering targets, as requested by the emerging asymmetric warfare scenarios.

Automatic loading is provided through a revolving magazine and rapid reloading is easily undertaken even during firing action by two ammunition handlers. Standard supply includes the new Digital Control Console (DCC) capitalizing the digital technology to increase the functions available to the operator and to the maintainers.

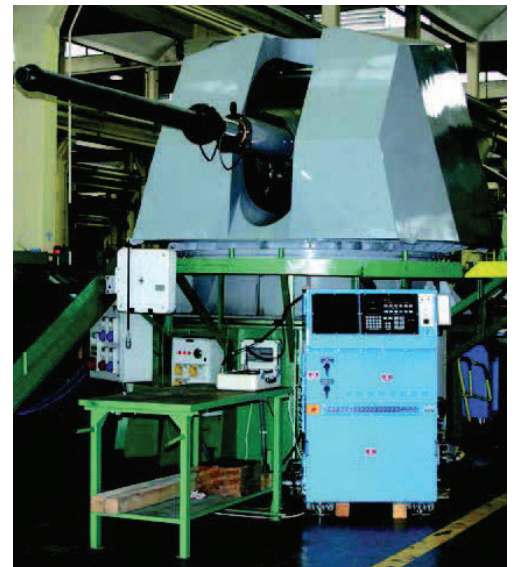
76MM SHIPBOARD GUN

The 76/62 Super Rapid (SR) Shipboard Gun is ready for operating the Leonardo Defense Systems 3AP Multifunction Programmable Fuse. The in service and new 76mm Shipboard Guns have the necessary flexibility for these options:

- Integral Stealth Shield to reduce the total RCS of the ship
- Muzzle Velocity Radar to update the FCS of eventual deviations from range table values
- Multi Feeding Device for the automatic handling, selection and feeding of any type of ammunition loaded
- STRALES system - a guidance system for the DART guided projectile.

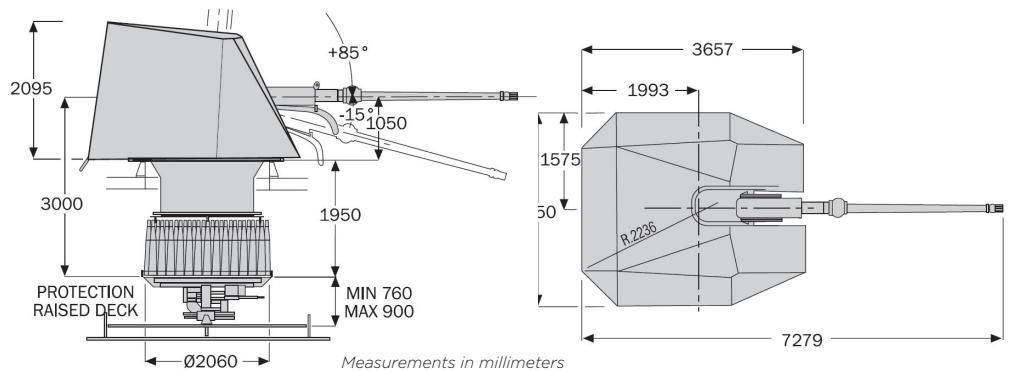
MAIN CHARACTERISTICS

RATE OF FIRE	120 RDS/MIN
DRY WEIGHT (WITHOUT AMMUNITION)	7900KG
TRAINING ARC (WITH SLIP RING)	UNLIMITED
ELEVATION ARC -	15° TO +85°
TRAINING SPEED/ACCELERATION	MAX 60°/SEC (72°/SEC2)
ELEVATION SPEED/ACCELERATION	35°/SEC (72°/SEC2)
READY-TO-FIRE-ROUNDS	80 (ON GUN MOUNT)
RANGE (MAX)	16000M STANDARD AMMO 20000M WITH EXTENDED RANGE OTO SAPOMER AMMUNITION 40000M WITH GUIDED LONG RANGE (GLR) VULCANO 76 AMMO (IN DEVELOPMENT)
COOLING SYSTEM	SEA WATER - FRESH WATER FOR FLUSHING
ELECTRICAL POWER SUPPLY	440V, 3 -PHASE, 60HZ, MAIN CIRCUIT 115V, 1 -PHASE, 400HZ, SERVO AND SYNCHRO NETWORK



The Gun Mount capabilities included of a New Main Distribution Box/Control Console, which provides:

- Basic functions
 - Gun Control algorithms/obstacle contouring
 - BITE on line
 - FCS Interfaces (digital, analogical, CORBA protocol etc.)
 - Control Panel Interfaces/ Man Machine Interface
- Expanded functions
 - Maintenance
 - Troubleshooting
 - Documentation on line (Manuals on line and PMS)
 - Log Book (management support)
 - Guideline
 - Black Box



Land Systems

201 Evans Lane
St. Louis, MO 63121
T +1 314 553 4000
LS-info@drs.com

The information in this data sheet is to the best of our knowledge, accurate as of the date of issue. Leonardo DRS, Inc. reserves the right to change this information without notice. Nothing herein shall be deemed to create any warranty, expressed or implied. Copyright © Leonardo DRS, Inc. 2020 All Rights Reserved.